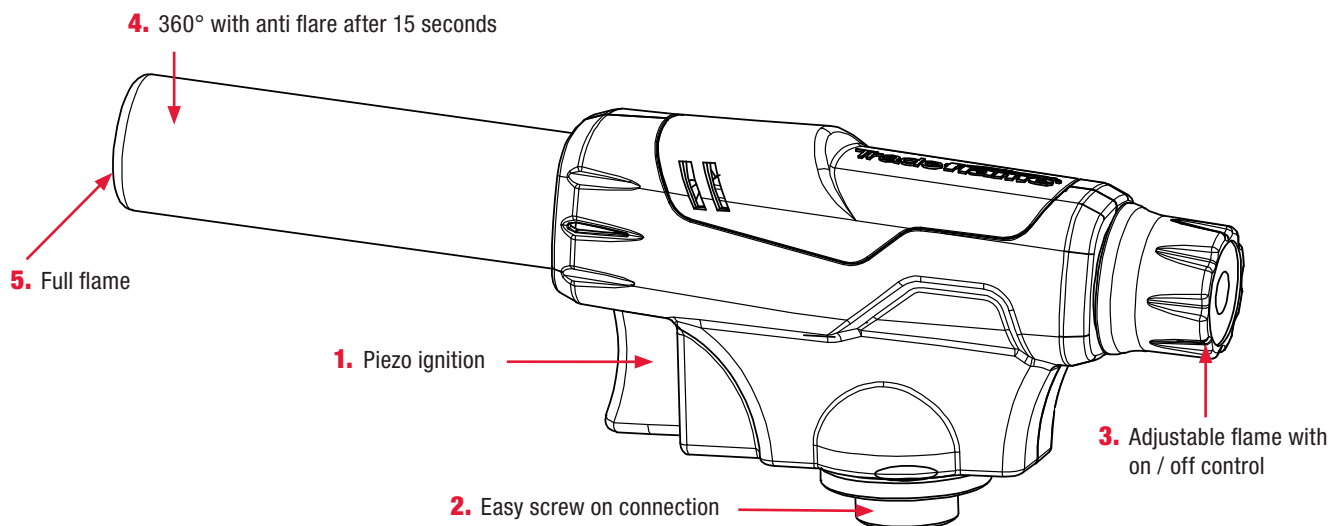


PRODUCT MANUAL

PRO HEAT BLOW TORCH KIT

Part No. 10000761



PRO HEAT BLOW TORCH KIT

Part No. 10000761

FEATURES

- Piezo ignition
- Easy screw on connection
- Adjustable flame with on / off control
- 360° with anti flare after 15 seconds
- Full flame
- Use for Cooking, Heating, Soft Soldering, Hobby, Camping, DIY, Workshop, Heat shrinking and Jewellery/Art

SPECIFICATIONS

- **Consumption:** 80 g/hr
- **Burning time:** 165 min
- **Flame length:** 180 mm
- **Gas type:** Butane
- **Connection type:** Screw on fitting

CONTENTS

- Pro Heat Blow Torch
- Butane power gas cartridge 220 g screw on fitting

OPERATION

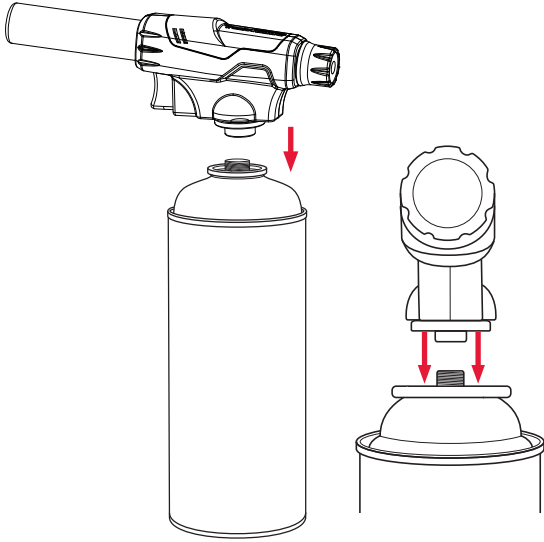
This Pro heat blow torch with Adjustable flame control should only be used with a Butane gas nonrefillable cartridge, with the screw type fitting, certified to EN417 or DOT2P.

It may be hazardous to attempt to fit other types of gas containers.

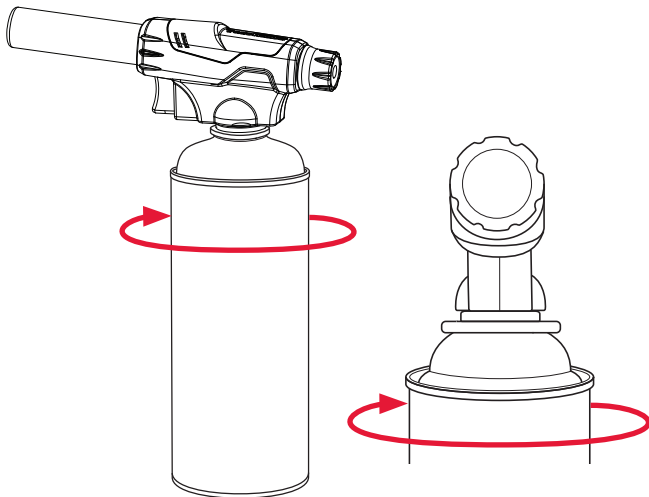
TO ASSEMBLE

Note: Before use, check torch seals are fitted correctly and in good condition.

1. Remove red warning label from torch connection point, prior to use.
2. Ensure the flame control knob is turned off (OFF) fully clockwise.
3. Keep the cartridge in an upright position and place the torch valve on top of the cartridge.



4. Holding the torch, align the cartridge and the appliance thread, and turn the cartridge clockwise. Hand tighten until connection is tight.
CAUTION Do not over tighten.

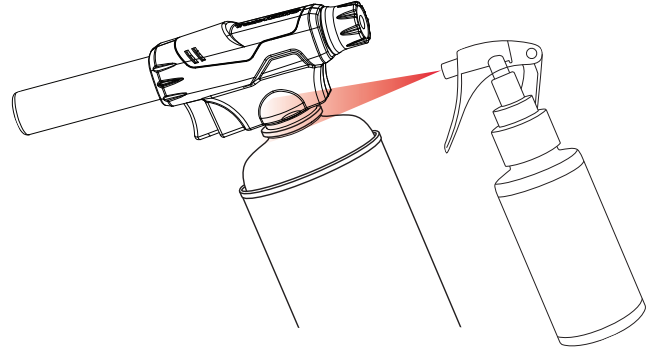


5. **IMPORTANT:** Always check for leaks using a leak detection spray or soapy water before ignition.

CHECKING FOR GAS LEAKS

Spray Gas Leak Detection Spray (211634) around seal and check for bubbles. **DO NOT USE IF YOU SMELL GAS OR SEE BUBBLES.**

If you smell gas or see bubbles, the torch is not correctly attached to the gas cartridge. **DO NOT IGNITE.** Remove the blow torch from the gas cartridge and re-attempt connection.



TO IGNITE

To avoid injury or damage always point the burner away from your body, other persons or objects and any flammable or combustible materials.

1. Ensure the Flame Control Knob is turned fully clockwise (OFF).
2. Turn the Flame Control Knob a quarter turn counter-clockwise (ON) to enable the gas to flow.
3. Press the Trigger to ignite the flowing gas. This torch can be used in an inverted position after 15 seconds of use.

TO EXTINGUISH

1. Turn the Adjustable Flame Control off (OFF) fully clockwise.
- **CAUTION** The burner becomes extremely hot during and after operation. Care must be taken to avoid accidental burns.
- **ALLOW THE TORCH TO COOL**

TO DISASSEMBLE

1. Follow the **EXTINGUISH** instructions.
2. Ensure burner has cooled properly.
3. Gently unscrew the torch counter-clockwise. Remove the torch from the cartridge.

STORAGE

1. **REFER** to “**HANDLING & STORAGE**” details on the gas cartridge label.
2. **ALWAYS** detach torch from cartridge when not in use.
3. **DO NOT** store near source of heat, in a vehicle or in a room used for habitation.
4. **STORE** the torch and cartridge in a safe dry place.
5. **DO NOT** breathe gas, fumes, vapour or spray. If inhaled, move the person to a fresh air environment.
6. **AVOID** contact with eyes or skin. In case of contact with eyes, rinse immediately with plenty of water and seek medical advice.

WARNING

- **ENSURE THAT YOU READ AND FULLY UNDERSTAND THE INSTRUCTIONS AND PRODUCT BEFORE USE.**
- **DO NOT** try to use this tool without first reading and understanding the instructions.
- **FAILURE** to comply with these instructions and warnings may result in damage to property, personal injury or death.
- **ALWAYS** inspect the torch before use to ensure it is in good working order.
- **ALWAYS** detach torch from cartridge when not in use.
- **DO NOT** attempt to use the torch if it is leaking, damaged or malfunctioning.
- **ONLY** use in well ventilated areas.
- **CARBON MONOXIDE HAZARD** This torch can produce carbon monoxide which has no odour. Using it in an enclosed space, may cause death.
- **NEVER** leave the torch once lit. Extinguish the torch first ensuring it is completely out and safe before leaving unattended.
- **CAUTION** accessible parts may be very hot during and after operation. Care must be taken to avoid accidental burns.
- **ENSURE** flame is completely out after use.
- **PROTECT** from direct sunlight.
- **DO NOT** expose to temperature above 40°C / 104°F.
- **KEEP** out of reach of children.
- **TO AVOID** injury or damage only ignite the torch when clear of face, hands, clothing or combustible materials.
- **ALWAYS** inspect your environment before igniting to ensure the area is clear of any potential ignition sources or hazards.
- **CONTAINS** flammable gas under pressure.
- **DO NOT** disassemble, puncture or incinerate cartridge after use. Cartridges must be stored and handled in accordance with AS1596.
- **CAUTION** for maximum protection, always wear safety goggles, gloves and other appropriate safety equipment.
- **AVOID** contact with eyes or skin. In case of contact with eyes, rinse immediately with plenty of water and seek medical advice.

MAINTENANCE/SERVICING

Serviceable components: N/A

Servicing instructions: N/A



CAUTION: For maximum protection, always wear safety goggles, gloves or other appropriate equipment

Trade**flame**

Distributed by

TRADEPEM INDUSTRIAL PTY LTD.