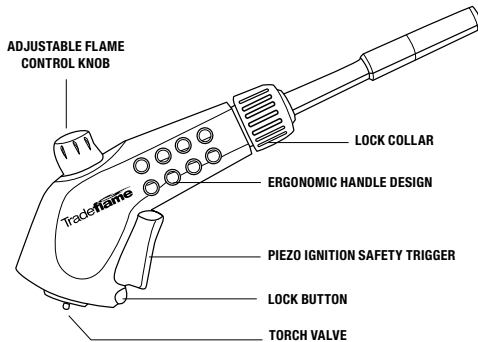


## PROPANE - Handyman Turbo Blow Torch



### TO ASSEMBLE

1. Ensure the flame control knob is turned off (-) fully clockwise.
2. Keep the cylinder in an upright position and the torch valve on top of the BOM fitting.
3. Gently screw (clockwise) the valve body into the cylinder.  
CAUTION - DO NOT OVER TIGHTEN.

### TO IGNITE

1. To avoid injury or damage, always point the burner away from your body and any flammable or combustible materials.
2. Turn the flame control knob (+) anti-clockwise.
3. Press the trigger to ignite the burner.
4. For a constant flame, before releasing the trigger, move the lock button to the right.

### ADJUSTING THE FLAME LEVEL.

Turn the flame control knob anti-clockwise (+) to increase the flame.

Turn the flame control knob clockwise (-) to decrease the flame.

### TO EXTINGUISH

1. If the lock button is engaged, press the trigger to release the lock button and then release the trigger.

2. Turn the flame control knob fully clockwise to the closed position.
3. Allow the torch to cool.

### TO DISASSEMBLE

1. Ensure the burner has cooled properly.
2. Gently screw (anti-clockwise) the torch from the cylinder.
3. Replace the gas cylinder cap to keep the valve clean.

### STORAGE

- Ensure flame is completely out after use.
- Always detach torch from cylinder when not in use.
- Make sure that the cylinder is disconnected and is stored in a well ventilated area, out of the reach of children, free from direct sunlight, heat and ignition sources. If being stored indoors, ensure that the location complies with the standard AS/NZS 1596.
- Do not store chemicals or flammable materials, or spray aerosols near this appliance.

### MAINTENANCE/SERVICING

If symptoms such as flaring burner, issues with lighting, leaks from seals or problems with gas control are identified, do not attempt to repair, return to your authorised stockist for service and maintenance.

This appliance must only be serviced by an authorised person.