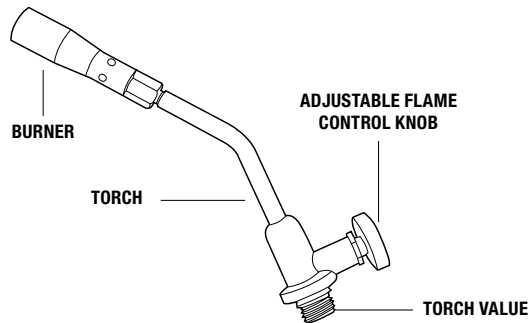


PROPANE - Pinpoint Flame Blow Torch



TO ASSEMBLE

1. Ensure the adjustable flame control knob is turned off (-) fully clockwise.
 2. Keep the cylinder in an upright position and place the torch on top of the Primus Internal fitting.
 3. Gently screw the torch onto the cylinder (clockwise).
- CAUTION - DO NOT OVER TIGHTEN.

TO IGNITE

1. To avoid injury or damage, always point the burner away from your body and any flammable or combustible materials.
2. Turn the adjustable flame control knob (+) anti-clockwise.

Note: It is very difficult to light the torch with the valve fully open. This results in the gas blowing out the ignition source.

This torch is only designed to be used in an upright position. Never use this torch upside down as this may cause the flame to flare or extinguish.

ADJUSTING THE FLAME LEVEL

Adjust the flame to desired level ((+) to increase, (-) to decrease). The hottest most efficient flame will have an inner blue flame of varying length depending upon the burner size.

TO EXTINGUISH

Turn the adjustable flame control knob fully clockwise to the closed position (-).

TO DISASSEMBLE

1. Follow the EXTINGUISH instructions.
2. Ensure burner has cooled properly.
3. Gently screw the torch from the gas cylinder (anti-clockwise).
4. Replace the gas cylinder cap to keep the valve clean.

STORAGE

- Always detach torch from cylinder when not in use.
- Make sure that the cylinder is disconnected and is stored in a well ventilated area, out of the reach of children, free from direct sunlight, heat and ignition sources. If being stored indoors, ensure that the location complies with the standard AS/NZS 1596.
- Do not store chemicals or flammable materials, or spray aerosols near this appliance.