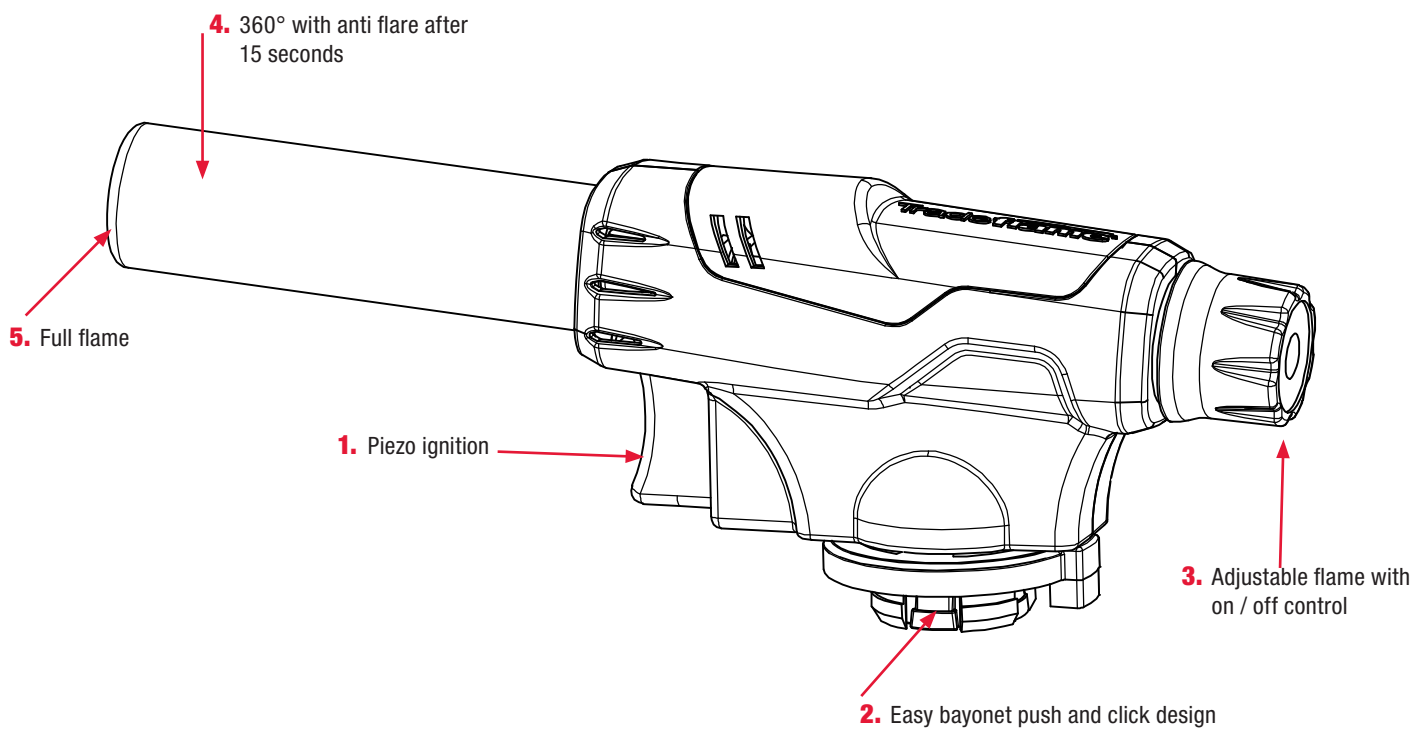


PRODUCT MANUAL

PRO HEAT BLOW TORCH KIT

Part No. 10000594



PRO HEAT BLOW TORCH KIT

Part No. 10000594

FEATURES

- Piezo Ignition
- Easy bayonet push and click design
- Adjustable Flame with on/off control
- 360° with Anti flare after 15 seconds
- Standard flame
- Use for Cooking, Heating, Soft Soldering, Hobby, Camping, DIY, Workshop, Heat shrinking and Jewellery/Art

SPECIFICATIONS

- **Consumption:** 72.70 g/hr
- **Burning time:** 165 min
- **Flame length:** 180 mm
- **Gas type:** Butane
- **Connection type:** Bayonet fitting

CONTENTS

- Pro heat blow torch
- Butane cartridge 220 g bayonet fitting

OPERATION

This Pro Heat Blow Torch should only be used with a Butane gas nonrefillable cartridge, with bayonet fitting, certified to EN417 or DOT2P.

It may be hazardous to attempt to fit other types of gas containers.

TO ASSEMBLE

1. Ensure the flame control knob is turned off (OFF) fully clockwise.
2. Keep the cartridge in an upright position and place the torch valve on top of the cartridge push type fitting making sure the locating lug on the valve lines up with the locating lug on the cartridge, push down slightly and then turn clockwise. You will feel a slight click locking the torch and cartridge in place.
3. Once the click is felt there is no need to turn further as this is now connected.
4. **IMPORTANT:** Always check for leaks using a leak detection spray or soapy water before ignition.

CAUTION Do not over tighten.

TO IGNITE

To avoid injury or damage always point the burner away from your body, other persons or objects and any flammable or combustible materials.

1. Ensure the Flame Control Knob is turned fully clockwise (OFF).
2. Turn the Flame Control Knob counter clockwise (ON) to enable the gas to flow.
3. Press the Trigger to ignite the flowing gas. This torch can be used in an inverted position after 15 seconds of use.

TO EXTINGUISH

1. Turn the Adjustable Flame Control off (OFF) fully clockwise.
- **CAUTION** The burner becomes extremely hot during and after operation. Care must be taken to avoid accidental burns.
 - **ALLOW THE TORCH TO COOL**

TO DISASSEMBLE

1. Follow the **EXTINGUISH** instructions.
2. Ensure burner has cooled properly.
3. Gently turn the torch anti-clockwise, you will feel a slight click releasing the torch from the cartridge lock position. Remove the torch from the cartridge.

STORAGE

1. **REFER** to “**HANDLING & STORAGE**” details on the gas cartridge label.
2. **ALWAYS** detach torch from cartridge when not in use.
3. **DO NOT** store near source of heat, in a vehicle or in a room used for habitation.
4. **STORE** the torch and cartridge in a safe dry place.
5. **DO NOT** breathe gas, fumes, vapour or spray. If inhaled, move the person to a fresh air environment.
6. **AVOID** contact with eyes or skin. In case of contact with eyes, rinse immediately with plenty of water and seek medical advice.

WARNING

- **ENSURE** that you read and fully understand the instructions and product before use.
- **DO NOT** try to use this tool without first reading and understanding the instructions.
- **FAILURE** to comply with these instructions and warnings may result in damage to property, personal injury or death.
- **ALWAYS** inspect the torch before use to ensure it is in good working order.
- **ALWAYS** detach torch from cartridge when not in use.
- **DO NOT** attempt to use the torch if it is leaking, damaged or malfunctioning.
- **ONLY** use in well ventilated areas.
- **CARBON MONOXIDE HAZARD** This torch can produce carbon monoxide which has no odour. Using it in an enclosed space, may cause death.
- **OUTDOOR** use only.
- **NEVER** leave the torch once lit. Extinguish the torch first ensuring it is completely out and safe before leaving unattended.
- **CAUTION** accessible parts may be very hot during and after operation. Care must be taken to avoid accidental burns.
- **ENSURE** flame is completely out after use.
- **PROTECT** from direct sunlight.
- **DO NOT** expose to temperature above 40°C / 104°F. .
- **KEEP** out of reach of children.
- **TO AVOID** injury or damage only ignite the torch when clear of face, hands, clothing or combustible materials.
- **ALWAYS** inspect your environment before igniting to ensure the area is clear of any potential ignition sources or hazards.
- **CONTAINS** flammable gas under pressure.
- **DO NOT** disassemble, puncture or incinerate cartridge after use. Cartridges must be stored and handled in accordance with AS1596.
- **CAUTION** for maximum protection, always wear safety goggles, gloves and other appropriate safety equipment.
- **AVOID** contact with eyes or skin. In case of contact with eyes, rinse immediately with plenty of water and seek medical advice.

MAINTENANCE/SERVICING

Serviceable components: N/A

Servicing instructions: N/A



CAUTION: For maximum protection, always wear safety goggles, gloves or other appropriate equipment

Trade**flame**

Distributed by

TRADEPEM INDUSTRIAL PTY LTD.

Trade**flame**.com

Facebook: @tradeflame Instagram: @tradeflametools