

## PRODUCT MANUAL

### HOT FIX KIT - PORTABLE

12 PC - 3 x AA Batteries\*

Part No. 10000611

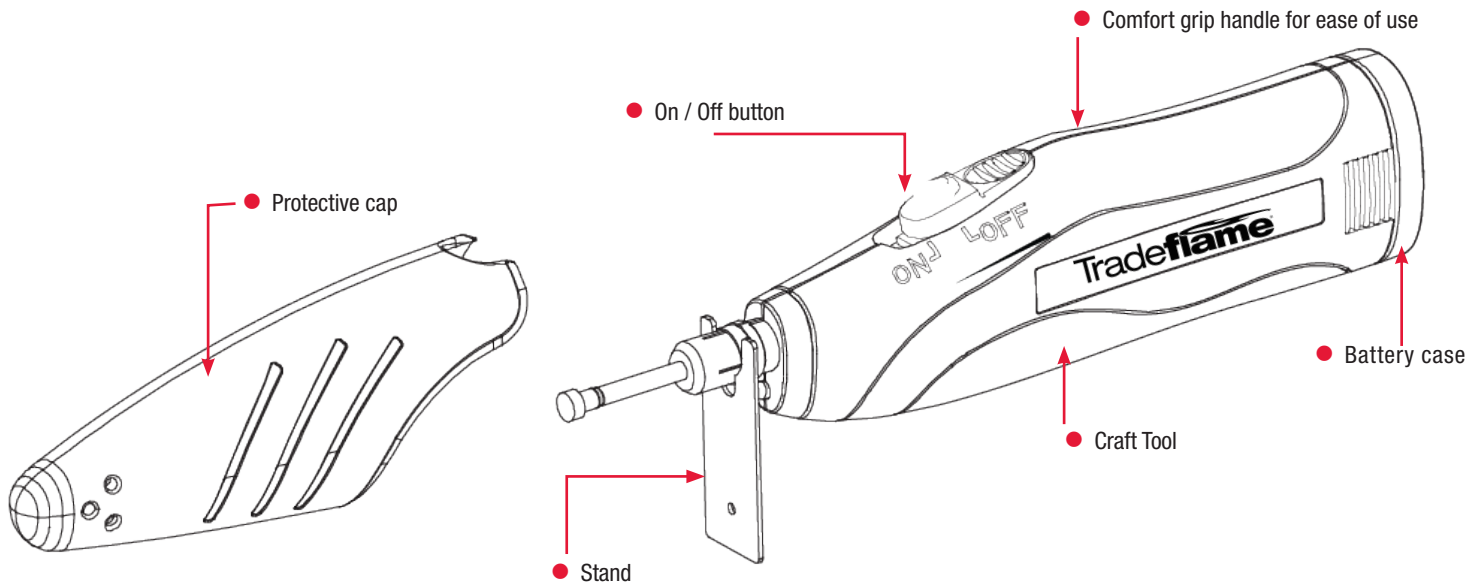
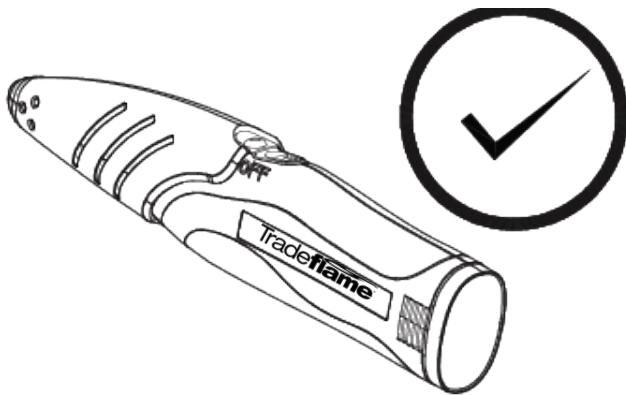
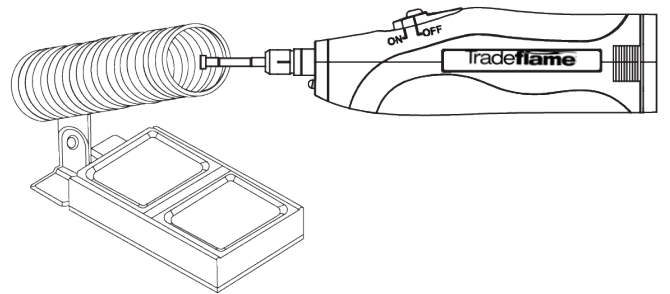


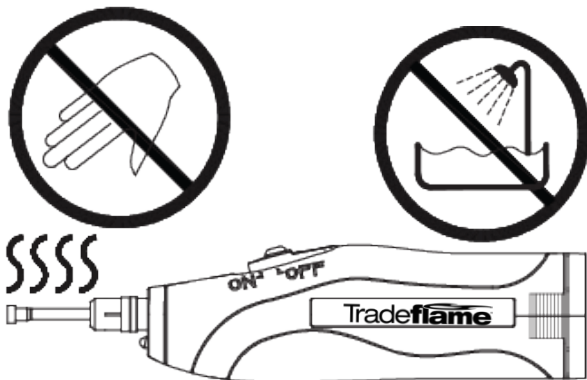
ILLUSTRATION ARE REPRESENTATION ONLY



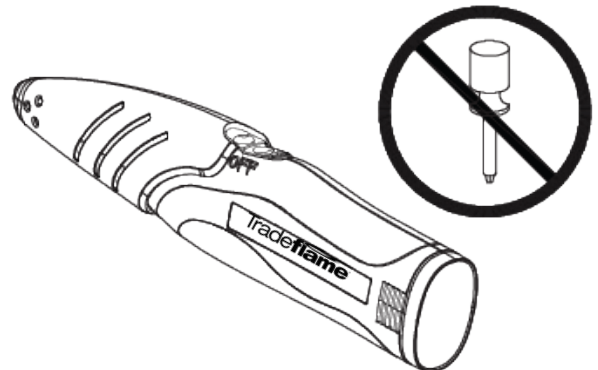
Correct storage of Craft Tool when not in use and cool



Do not place in coil holder



**WARNING** - hot tip when in use, do not touch, keep Craft Tool clean and away from oils and lubricants. Do not immerse Soldering Iron in water



Do not modify or attempt to repair the Soldering Iron except as indicated in the instructions for use and care.

## SAFETY WARNINGS

Your Tradeflame Craft Tools is a very safe tool and complies with all the relevant safety regulations in Australia. Nevertheless, like all electrical appliances, it must be handled with care. **Read all safety warnings, instructions, illustrations and specifications provided with this Tradeflame Craft Tool.** Failure to follow all instructions listed below may result in electric shock, and/or serious injury. Never forget that the tip and heater can reach high temperatures. Follow these simple safety rules at all times. Keep Tradeflame Craft Tool out of reach of children. This is not a toy and not intended for use by children 12 years old or younger without adult supervision. Keep your Craft Tool well away from all flammable material. To avoid burns, always assume that the tip is hot. Be sure the hot soldering tip and heater does not come into contact with the electric power cord. Before making any adjustment (removing or replacing a tip, etc.) make sure the Craft Tool is unplugged / switched off and cool. Do not dip the Craft Tool into any liquid. Always work in a well-ventilated area. After use, unplug/switch off the Craft Tool, allow the tip to cool, and store in a safe place. Safety goggles are recommended for preventing hot materials from injuring eyes. **Save all warnings and instructions for future reference.** The term "Craft Tool" in the warnings refers to your mains-operated (corded) Craft Tools or battery-operated (cordless) Craft Tools.

## WORK AREA SAFETY

- Keep work area clean and well lit. Cluttered or dark areas invite accidents.
- Do not operate Craft Tool around explosive liquids, gases or dust.
- **This is not a toy and not intended for use by children 12 years old or younger without adult supervision.**

## ELECTRICAL SAFETY

- Indoor use. Do not expose Craft Tool to rain or wet conditions. Water entering a Craft Tool will increase the risk of electric shock

## PERSONAL SAFETY

- Stay alert, watch what you are doing and use common sense when operating a Craft Tool. Do not use a Craft Tool while you are tired/distracted or under the influence. A moment of inattention while operating a Craft Tool may result in serious personal injury.
- Use personal protective equipment. Always wear eye protection. Protective equipment such as a dust mask, non-skid safety shoes, hard hat or hearing protection used for appropriate conditions will reduce personal injuries.
- **Prevent unintentional starting. Ensure the switch is in the off position before connecting to power source, picking up or carrying the Craft Tool.**
- Do not overreach. Keep proper footing and balance at all times. This enables better control of the Craft Tool in unexpected situations.
- Dress properly. Do not wear loose clothing or jewellery. Keep your hair and clothing away from moving parts. Loose clothes, jewellery or long hair can be caught in moving parts.
- Do not let familiarity gained from frequent use of the Craft Tools allow you to become complacent and ignore Craft Tool safety principles. A careless action can cause severe injury within a fraction of a second.

## MAINTENANCE/SERVICING

Serviceable components: N/A

Servicing instructions: N/A

## USE AND CARE

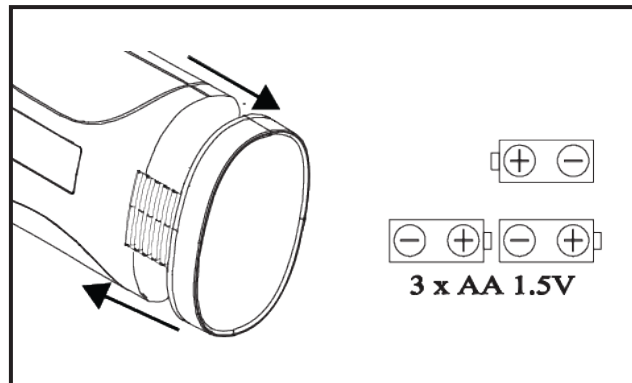
- Do not force the Craft Tool. Use the correct Craft Tool for your application. The correct Craft Tool will do the job better and safer at the rate for which it was designed.
- Disconnect the plug from the power source and/or turn off the battery, from the Craft Tool before making any adjustments, changing accessories, or storing Craft Tool. Such preventive safety measures reduce the risk of starting the Craft Tool accidentally.
- Store idle Craft Tool **out of the reach of children** and do not allow persons unfamiliar with the Craft Tool or these instructions to operate the Craft Tool. Craft Tool are dangerous in the hands of untrained users.
- Maintain Craft Tool and accessories. Check for misalignment or binding of moving parts, breakage of parts and any other condition that may affect the Craft Tool's operation.
- Use the Craft Tool, accessories and Craft Tool bits etc. in accordance with these instructions, taking into account the working conditions and the work to be performed. Use of the Craft Tool for operations different from those intended could result in a hazardous situation.
- Keep handles and grasping surfaces dry, clean and free from oil and grease. Slippery handles and grasping surfaces do not allow for safe handling and control of the Craft Tool in unexpected situations.
- Do not expose a Craft Tool to fire or excessive temperature. Exposure to fire or temperature above 130°C (265°F) may cause explosion.
- Do not attempt to use the Craft Tool on materials likely to melt (plastic, synthetics or imitation leather)

## SPECIFIC SAFETY RULES FOR CRAFT TOOLS

- Contact with a hot tip could ignite flammable materials. Contact with a hot tip could ignite a fire.
- While in use do not stand or store Craft Tool on its side. Craft Tool could tip resulting in contact between hot tip and flammable materials. Always set/store Craft Tool on stand provided
- Do not place Craft Tool in coil stand.
- Keep hands clear of the tip serious burns can occur if skin contacts tip
- Work in well ventilated areas, as Craft Tool can produce fumes and smoke.
- Use personal protective equipment when using
- This Craft Tool is not intended for use by persons (including children) with reduced physical, sensory or mental capabilities, or lack of experience and knowledge, unless they have been given supervision or instruction concerning use of the appliance by a person responsible for their safety.
- To reduce the risk of fire, personal injury, and product damage due to a short circuit, never immerse your Craft Tool, battery pack or charger in fluid or allow a fluid to flow inside them. Corrosive or conductive fluids, such as seawater, certain industrial chemicals, and bleach or bleach-containing products etc., can cause a short circuit.
- To reduce the risk of injury, always wear safety goggles or glasses with side shields. Keep hands and fingers behind finger guard. Serious burns could occur if skin contacts a hot tip.
- After finished using the tool, let the tool cool naturally, out of reach of children.
- Ensure protective cap secures the sliding switch to the "OFF" position when storing

## CHANGING THE BATTERIES

1. Using 2 fingers, press and open battery cover at the end of tool
2. Insert 3 x AA 1.5V alkaline batteries into the tool, following diagram on the label on Craft Tool
3. Close battery cover properly - do not force it close



## GETTING THE MOST FROM YOUR TRADEFLAME CRAFT KIT

### Tips, Tricks, and Techniques for Better Results

The best way to get started is to familiarize yourself with the Craft Tool, the various tips and the patterns they create. Do not attempt to use the Craft Tool on materials likely to melt (plastic, synthetics or imitation leather)

- Hot Fix TradeFlame Craft Kit 10000611: Test the hot fix tip by adding crystals to an off cut of the chosen piece of fabric. This allows you to get a feel for how the fabric will respond and to get your creative juices and technique flowing

## GETTING STARTED

Always use the tool on a heatproof and uncluttered table.

## TIPS AND THEIR USES

Your new TradeFlame Craft Kit comes with a crystals and specialty tips depending on which kit you have purchased. To get the most from your kit, follow these instructions to create the results you want.

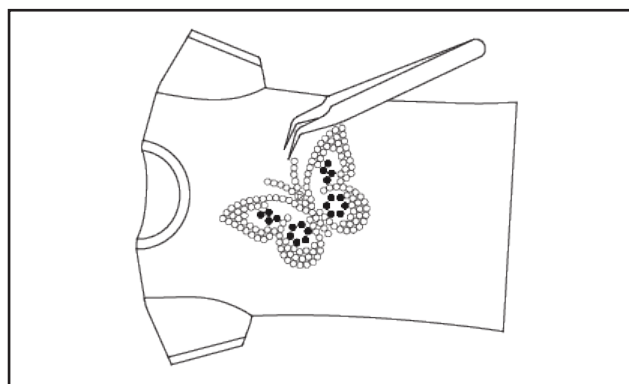
1. Flat tips can work on any size or irregular shape embellishments.
- Keep your tip clean for good performance and long life. Clean cool tip with a damp sponge after use – do not file tip
- For domestic use only. Use only for the intended purposes

## OPERATION

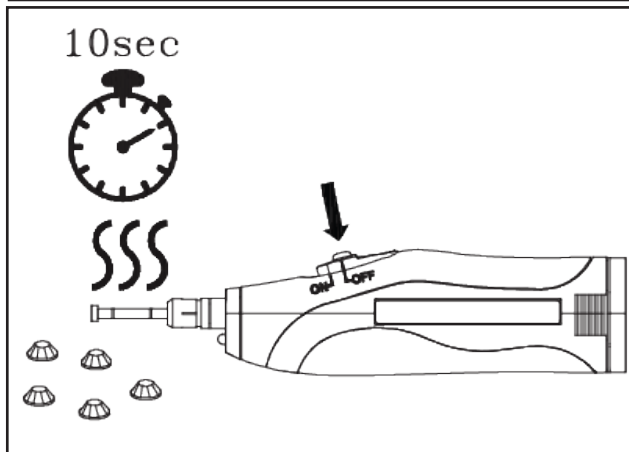
1. Remove protective cap from the tool
2. Place Craft Tool on the safety stand and switch to on.
3. Wait for the tool to heat up in approx. 10 seconds
4. Work on a flat hard counter top (ironing boards are too soft).
5. Hold the Craft Tool like a pencil. Do not touch any of the metal parts, as they are hot.
6. Do not exert pressure on the embellishment. Let the hot tip do the work

## USE ARRANGE PATTERNS WITH TWEEZERS

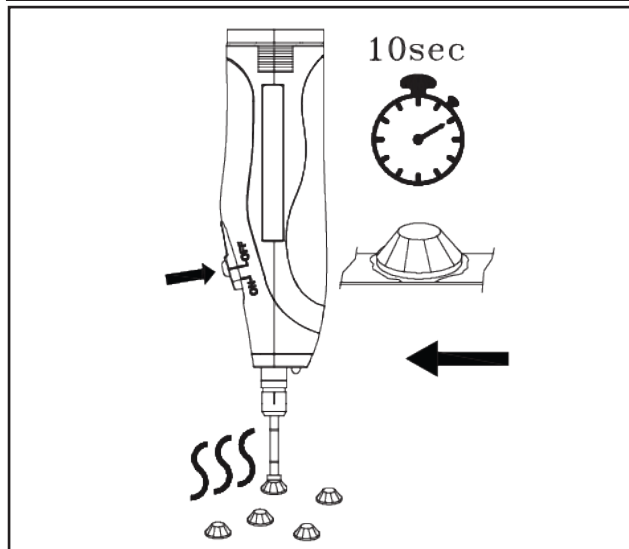
1. Use Tweezers provided to arrange the embellishments into desired pattern on the fabric surface with the embellishments facing up. (fig 1)
2. Wait for the tool to heat up in approx. 10 seconds (fig 2.)
3. Hold the Craft Tool perpendicular to each embellishment and wait for approximately 10 seconds. **NOTE: Time differs with different size and glue type of the embellishments.** (fig 3)
4. If the crystal gets stuck, use tweezers to help
5. Repeat the process until each embellishment is hot-fixed.
6. Allow embellishment to cool before touching.



1.



2.



3.

## HOT FIX KIT - PORTABLE

12 PC - 3 x AA Batteries\*

Part No. 10000611

### FEATURES

- Portable hot fix applicator
- Compact and lightweight
- Works with crystals, rhinestones, diamantes, and domes

### SPECIFICATIONS

- **Power source:** 3 x AA batteries (6V)
- **Output:** 6V
- **Heat time:** 15 Seconds

### CONTENTS

- Hot Fix portable tool
- Protective cap
- Tweezers
- Wrench tool
- SS10 "10" transparent crystals 120 pc
- SS16 "16" transparent crystals 40 pc
- SS16 "16" almond color crystals 15 pc
- SS16 "16" rose color crystals 15 pc
- 3 x AA batteries
- 2 x Blank cards 190 mm x 120 mm
- Guidebook
- **\*BATTERIES INCLUDED**

Trade**flame**

Distributed by

**TRADEPEM INDUSTRIAL PTY LTD.**

**Trade**flame**.com**

Facebook: @tradeflame Instagram: @tradeflametools