

PRODUCT MANUAL

20 W LEATHER BURNING KIT

9 PC

Part No. 10000609

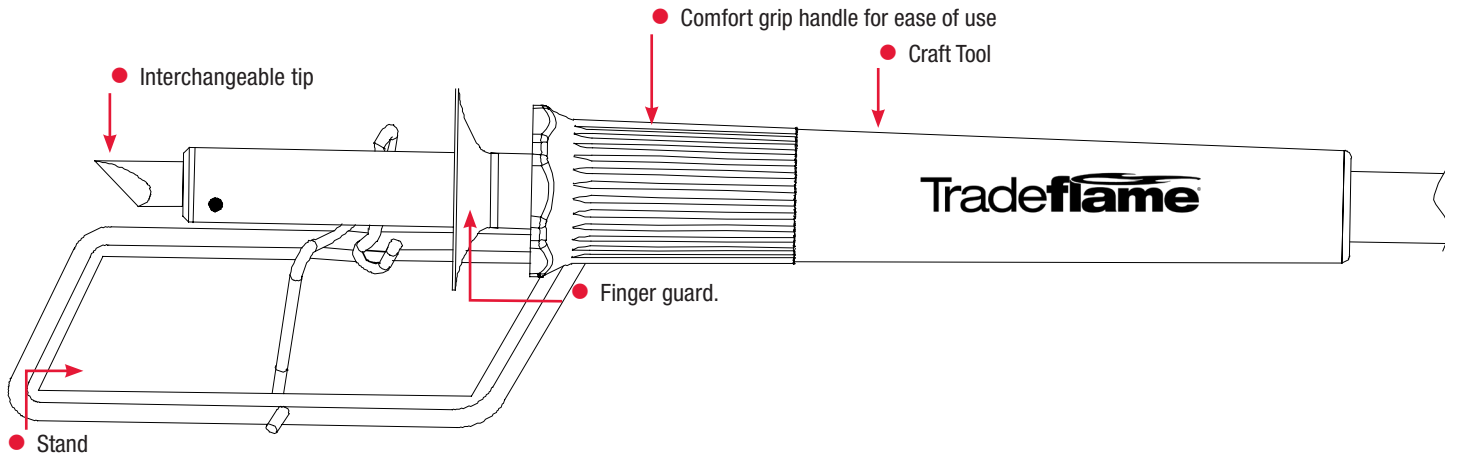
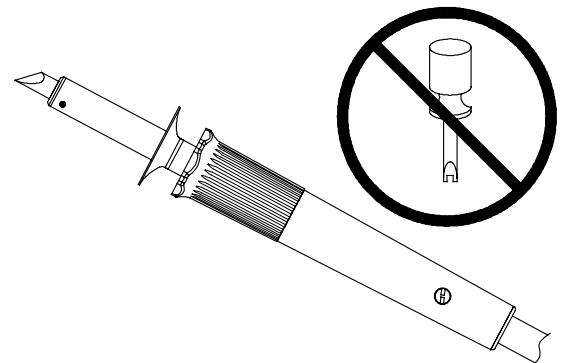
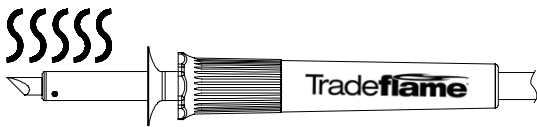
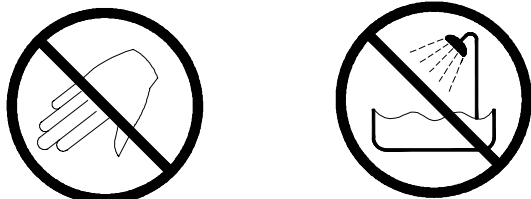
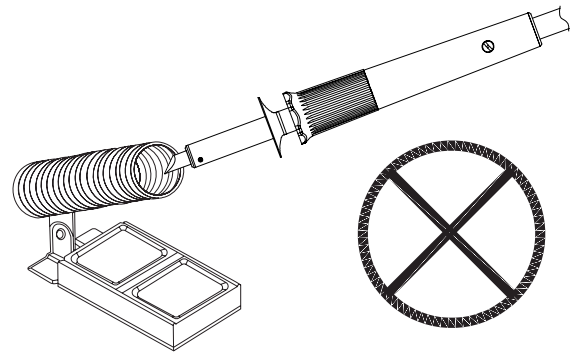
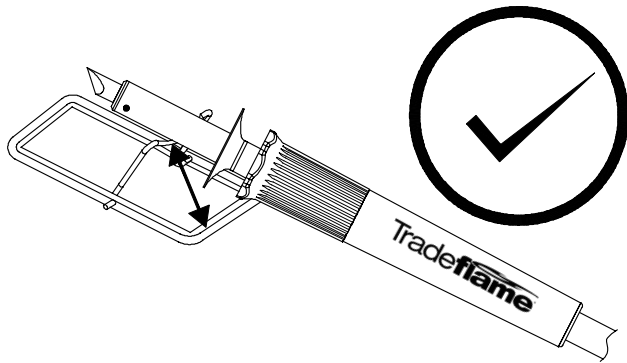


Fig. 1

ALL ILLUSTRATIONS ARE A REPRESENTATION ONLY



WARNING - hot tip when in use, do not touch, keep Craft Tool clean and away from oils and lubricants. Do not immerse Soldering Iron in water

Do not modify or attempt to repair the Soldering Iron except as indicated in the instructions for use and care.

SAFETY WARNINGS

Your Tradeflame Craft Tools is a very safe tool and complies with all the relevant safety regulations in Australia. Nevertheless, like all electrical appliances, it must be handled with care. **Read all safety warnings, instructions, illustrations and specifications provided with this Tradeflame Craft Tool.** Failure to follow all instructions listed below may result in electric shock, and/or serious injury. Never forget that the tip and heater can reach high temperatures. Follow these simple safety rules at all times. Keep Tradeflame Craft Tool out of reach of children. This is not a toy and not intended for use by children 12 years old or younger without adult supervision. Keep your Craft Tool well away from all flammable material. To avoid burns, always assume that the tip is hot. Be sure the hot soldering tip and heater does not come into contact with the electric power cord. Before making any adjustment (removing or replacing a tip, etc.) make sure the Craft Tool is unplugged / switched off and cool. Do not dip the Craft Tool into any liquid. Always work in a well-ventilated area. After use, unplug/switch off the Craft Tool, allow the tip to cool, and store in a safe place. Safety goggles are recommended for preventing hot materials from injuring eyes. Save all warnings and instructions for future reference. The term "Craft Tool" in the warnings refers to your mains-operated (corded) Craft Tools or battery-operated (cordless) Craft Tools.

WORK AREA SAFETY

- Keep work area clean and well lit. Cluttered or dark areas invite accidents.
- Do not operate Craft Tool around explosive liquids, gases or dust.
- **This is not a toy and not intended for use by children 12 years old or younger without adult supervision.**

ELECTRICAL SAFETY

- Indoor use. Do not expose Craft Tool to rain or wet conditions. Water entering a Craft Tool will increase the risk of electric shock

PERSONAL SAFETY

- Stay alert, watch what you are doing and use common sense when operating a Craft Tool. Do not use a Craft Tool while you are tired/distracted or under the influence. A moment of inattention while operating a Craft Tool may result in serious personal injury.
- Use personal protective equipment. Always wear eye protection. Protective equipment such as a dust mask, non-skid safety shoes, hard hat or hearing protection used for appropriate conditions will reduce personal injuries.
- **Prevent unintentional starting. Ensure the switch is in the off position before connecting to power source, picking up or carrying the Craft Tool.**
- Do not overreach. Keep proper footing and balance at all times. This enables better control of the Craft Tool in unexpected situations.
- Dress properly. Do not wear loose clothing or jewellery. Keep your hair and clothing away from moving parts. Loose clothes, jewellery or long hair can be caught in moving parts.
- Do not let familiarity gained from frequent use of the Craft Tools allow you to become complacent and ignore Craft Tool safety principles. A careless action can cause severe injury within a fraction of a second.

MAINTENANCE/SERVICING

Serviceable components: N/A

Servicing instructions: N/A

USE AND CARE

- Do not force the Craft Tool. Use the correct Craft Tool for your application. The correct Craft Tool will do the job better and safer at the rate for which it was designed.
- Disconnect the plug from the power source and/or turn off the battery, from the Craft Tool before making any adjustments, changing accessories, or storing Craft Tool. Such preventive safety measures reduce the risk of starting the Craft Tool accidentally.
- Store idle Craft Tool **out of the reach of children** and do not allow persons unfamiliar with the Craft Tool or these instructions to operate the Craft Tool. Craft Tool are dangerous in the hands of untrained users.
- Maintain Craft Tool and accessories. Check for misalignment or binding of moving parts, breakage of parts and any other condition that may affect the Craft Tool's operation.
- Use the Craft Tool, accessories and Craft Tool bits etc. in accordance with these instructions, taking into account the working conditions and the work to be performed. Use of the Craft Tool for operations different from those intended could result in a hazardous situation.
- Keep handles and grasping surfaces dry, clean and free from oil and grease. Slippery handles and grasping surfaces do not allow for safe handling and control of the Craft Tool in unexpected situations.
- Do not expose a Craft Tool to fire or excessive temperature. Exposure to fire or temperature above 130°C (265°F) may cause explosion.
- Do not attempt to use the Craft Tool on materials likely to melt (plastic, synthetics or imitation leather)

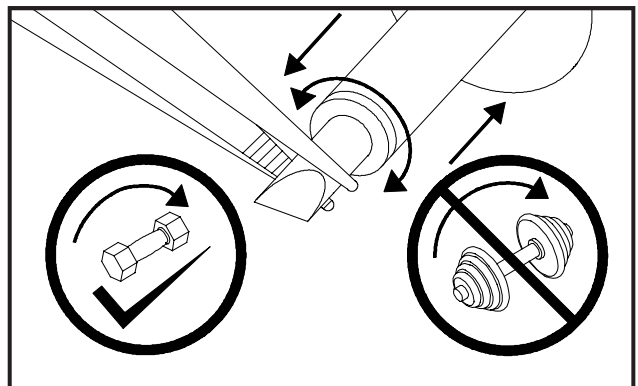
SPECIFIC SAFETY RULES FOR CRAFT TOOLS

- Contact with a hot tip could ignite flammable materials. Contact with a hot tip could ignite a fire.
- While in use do not stand or store Craft Tool on its side. Craft Tool could tip resulting in contact between hot tip and flammable materials. Always set/store Craft Tool on stand provided
- Do not place Craft Tool in coil stand.
- Keep hands clear of the tip serious burns can occur if skin contacts tip
- Work in well ventilated areas, as Craft Tool can produce fumes and smoke.
- Use personal protective equipment when using
- This Craft Tool is not intended for use by persons (including children) with reduced physical, sensory or mental capabilities, or lack of experience and knowledge, unless they have been given supervision or instruction concerning use of the appliance by a person responsible for their safety.
- To reduce the risk of fire, personal injury, and product damage due to a short circuit, never immerse your Craft Tool, battery pack or charger in fluid or allow a fluid to flow inside them. Corrosive or conductive fluids, such as seawater, certain industrial chemicals, and bleach or bleach-containing products etc., can cause a short circuit.
- To reduce the risk of injury, always wear safety goggles or glasses with side shields. Keep hands and fingers behind finger guard. Serious burns could occur if skin contacts a hot tip.)

CHANGING THE TIP

Ensure the tip is cool and Craft Tool is switched off and unplugged from mains current before touching the tip as serious burns could occur to skin if touched.

1. Unscrew the tip in a clockwise direction with a pair needle nose pliers with smooth jaws
2. Use needle nose pliers to remove the tip and replace
3. Tighten tip securely with needle nose pliers - making sure not to over tighten



GETTING THE MOST FROM YOUR TRADEFLAME CRAFT KIT

Tips, Tricks, and Techniques for Better Results

The best way to get started is to familiarize yourself with the Craft Tool, the various tips and the patterns they create. **Do not attempt to use the Craft Tool on materials likely to melt (plastic, synthetics or imitation leather)**

- Leather Tradeflame Craft Kit 10000609: Test tips by writing your name on an off cut or back of the chosen piece of leather. This allows you to get a feel for how the leather will respond and to get your creative juices and technique flowing

GETTING STARTED

Set up a safe work area. You can tape the stand to a piece of ceramic tile - Make sure the tile is heavy enough to keep the Craft Tool stand from tipping over while it protects the work surface. You will also need a fireproof container like a glass dish or metal lid to hold your various tips while they are cooling. You will need a pair of needle nose pliers with smooth jaws to remove the hot tips from the iron. Remember that metal conducts heat very quickly. **Never attempt to change a hot tip with your fingers.**

The best way to get started is to familiarize yourself with the Craft Tool, the various tips and the patterns they create.

TIPS AND THEIR USES

Your new Tradeflame Craft Kit comes with a wide variety of burning, cutting, branding, and specialty tips depending on which kit you have purchased. To get the most from your kit, follow these instructions to create the results you want.

1. Dot tip - for making dots of various sizes and depths. Using this tip, make light touches to your surface for fine dots. Hold the tip on the surface for longer periods of time to create deep holes.
2. Stamp tips - Apply these various tips vertically on your project surface.
 - When changing tips, for safety, always turn OFF the tool first and let tip cool down before changing tips.
 - Screwing and unscrewing the tip when hot may easily damage the screw-threads, or break the tips.
 - Keep your tips clean for good performance and long life. Carbon may build up on the tip surface as you work, especially if you're working with a sappy wood such as pine. Clean the tip with a damp sponge or Tradeflame's Brass Tip Cleaning brass wire (part number: 218167), after use – do not file tip.

PRACTICE

1. Plug in your Craft Tool and allow it about three minutes to heat up.
2. Hold the Craft Tool like a pencil. Do not touch any of the metal parts, as they are hot.
3. Start by writing your name. Practice pulling the point toward you instead of pushing it away. Never use excess force or pressure to draw. Let the heated tip do its work.
4. You can vary the appearance of the pattern by the amount of time you leave the tip on the surface and by the pressure applied to the tip.
5. The longer the tip stays on the surface the deeper and darker the pattern will appear.
6. The brown shading is affected by the speed of the tip across the surface.
7. The smoother the surface of the material, the clearer and finer the design will appear.
8. After you have practiced a while, make a sample board as a reminder of patterns you can create using different tips and techniques.
9. This will make it fun and easy to complete a new project with an interesting display of "pyrography techniques".

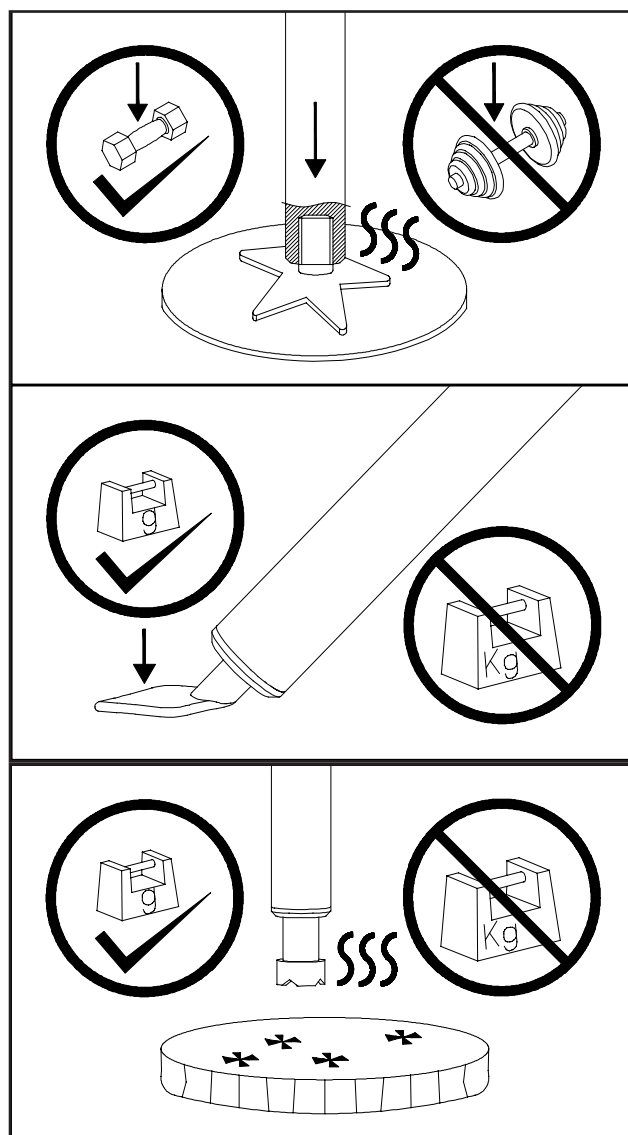
DESIGNS

You can adapt a variety of designs from almost any media. From colouring books to garden manuals just about every item has been captured as line art or a simple sketch. Once you have become familiar with the iron and the patterns, you can create using the various tips, it will be easier for you to create your own designs. Use a copy machine to reduce and enlarge designs to suit your project

TRANSFERRING DESIGNS

Using Tracing paper (not included)

- Place your pattern on the surface and secure with masking tape across the top.
- Lift the pattern and place carbon paper directly on the surface.
- Lightly trace the design using a pencil.
- Double check your design before removing the pattern to make sure you have transferred the entire pattern.



SURFACES

1. Pyrography is a process of using a heated metal tip to engrave on materials such as genuine leather or cord/wood or paper.
2. Do not attempt to use the tool on materials likely to melt (plastic, synthetics or imitation leather)

Check your craft store for suitable surfaces. Experiment! This is a hobby. That means you can just do it because it's fun.

SAFETY TIP:

Caution should be taken when working with certain hardwoods such as, English pressure treated or tropical woods. Avoid using very thin plywood or veneer because they contain adhesives that emit dangerous fumes when heated. Wear protective masks.

20 W LEATHER BURNING KIT

9 PC

Part No. 10000609

FEATURES

- Comfort grip handle for ease of use
- Compact and lightweight
- 6 Unique stamping tips
- Heats up in 3 minutes

SPECIFICATIONS

- **Power source:** 240V
- **Output:** 20 W
- **Heat time:** 3 Minutes
- **Cable length:** 1.3 m

CONTENTS

- Leather burning Iron
- Metal tray & stand
- 6 Stamp tips:
 - T-04 Dot tip
 - K-03 Star solid tip
 - K-04 Heart solid tip
 - K-01 Flower tip
 - Love tip
 - Grid tip
- 1 x Sandpaper

LEATHER BURNING TIPS

Dot Tip



STAMP TIPS

Star Solid Tip



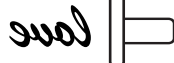
Heart Solid Tip



Flower Tip



Love Tip



Grid Tip



Trade**flame**

Distributed by

TRADEPEM INDUSTRIAL PTY LTD.

Trade**flame**.com

@tradeflame @tradeflametools