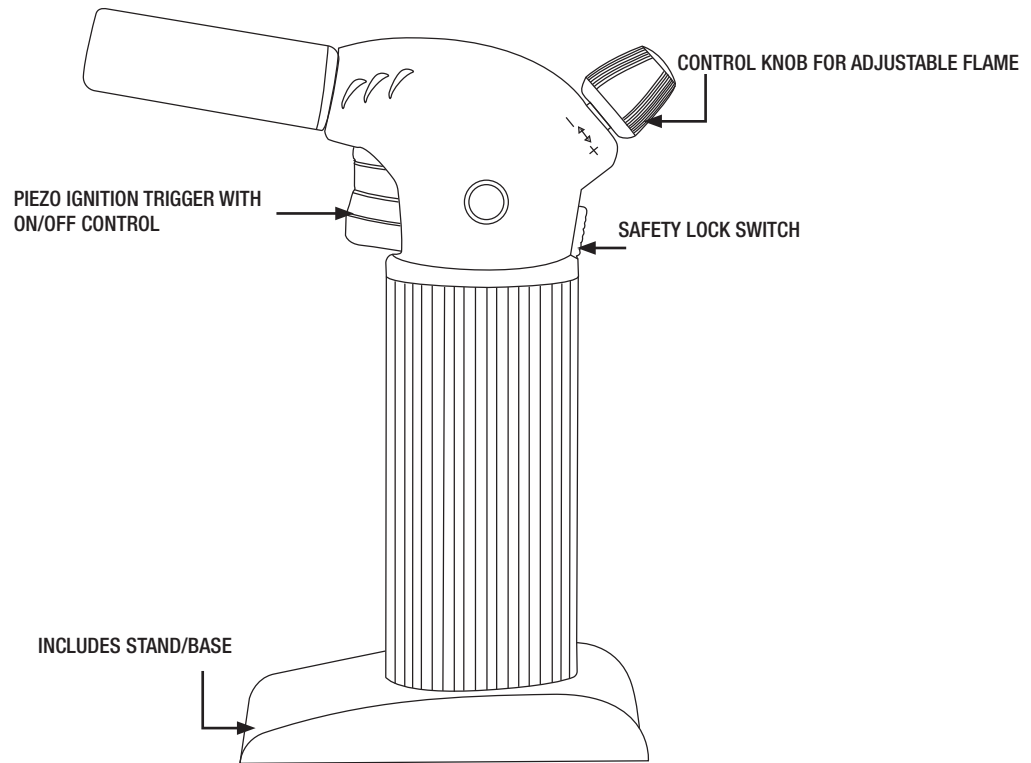


PRODUCT MANUAL TURBO MAX HEAT TORCH KIT

PART NO. 211278



FEATURES

- Control knob for adjustable flame
- Piezo ignition trigger with on/off control
- Safety lock switch
- Includes stand/base
- Use in conjunction with Butane Cartridge 60 g (2312) and 220 g (2323)

SPECIFICATIONS

- **Consumption:** 50 g/hr
- **Fuel storage size:** 60 g
- **Burning time:** 72 min
- **Flame length:** 160 mm
- **Contents of gas cartridge:**
 - **Butane:** 45% (106-97-8)
 - **Isobutane:** 28% (75-28-5)
 - **Propane:** 26% (74-98-6)

CONTENTS

- Turbo Max Heat Torch
- Butane Cartridge 60 g (2312)

IMPORTANT

- Read enclosed instructions carefully. Familiarise yourself with the appliance before filling it with gas. Keep these instructions for future reference.
- USE OUTDOORS ONLY.
- This appliance shall only be used with disposable butane 45% / isobutane 28% / propane 26% only cartridges certified to EN417, DOT2P, UN2037.
- IT MAY BE HAZARDOUS TO ATTEMPT TO FIT OTHER TYPES OF GAS CONTAINERS.

FOR USE WITH

- This product is supplied with gas. It requires filling before use.
- Part number 2312 (60 g) or 2323 (200 g), disposable butane gas cartridge with push type fitting.

SAFETY INSTRUCTIONS

- Remove the torch burner from the gas cartridge when storing or transporting. (removable gas cylinders only)
- Store the gas cartridge outdoors in a well ventilated area out of the reach of children. Any indoor storage area shall comply with AS/NZS 1569.
- CARBON MONOXIDE HAZARD. USE ONLY IN WELL VENTILATED AREAS.
- CARBON MONOXIDE HAZARD - THIS EQUIPMENT CAN PRODUCE CARBON MONOXIDE WHICH HAS NO ODOUR. USING IT IN AN ENCLOSED SPACE SUCH AS CAR, MOBILE HOME MAY CAUSE DEATH.
- For maximum protection always wear safety goggles, gloves and other appropriate safety equipment.

MAINTENANCE

- If symptoms such as flaring burner, issues with lighting, leaks from seals or problems with gas control are identified, do not attempt to repair, return to your authorised stockist for service and maintenance.
- This appliance must only be serviced by an authorised person.

WARNING

Please make sure the flame is off before refilling. Stop refilling once gas starts overflowing and wait 3 minutes before use.

Do not open, break or drop the torch. **Keep the unit out of the reach of children.**

To avoid injury or damage only ignite the torch when clear of your face, hands, clothing and any combustible materials.

The burner/tip becomes extremely hot during and after operation, care must be taken to avoid accidental burns.

Ensure flame is completely out after use. Do not expose to temperature above 50°C / 120°F. Contains flammable gas under pressure, do not disassemble, puncture, drop or incinerate after use.

Keep out of reach of children.

DANGER

- EXTREMELY FLAMMABLE GAS.
- CONTAINS GAS UNDER PRESSURE; MAY EXPLODE IF HEATED.
- KEEP AWAY FROM HEAT/SPARKS/OPEN FLAMES/HOT SURFACES. NO SMOKING
- LEAKING GAS FIRE: DO NOT EXTINGUISH, UNLESS LEAK CAN BE STOPPED SAFELY.
- ELIMINATE ALL IGNITION SOURCES IF SAFE TO DO SO.
- PROTECT FROM SUNLIGHT.
- STORE IN A WELL-VENTILATED PLACE.
- FOLLOW INSTRUCTIONS SUPPLIED WITH APPLIANCES.
- REFER TO THE SDS FOR FIRST AID MEASURES, FIRE FIGHTING MEASURES, ACCIDENTAL RELEASE MEASURES AND HANDLING AND STORAGE.



CAUTION: For maximum protection, always wear safety goggles, gloves or other appropriate equipment