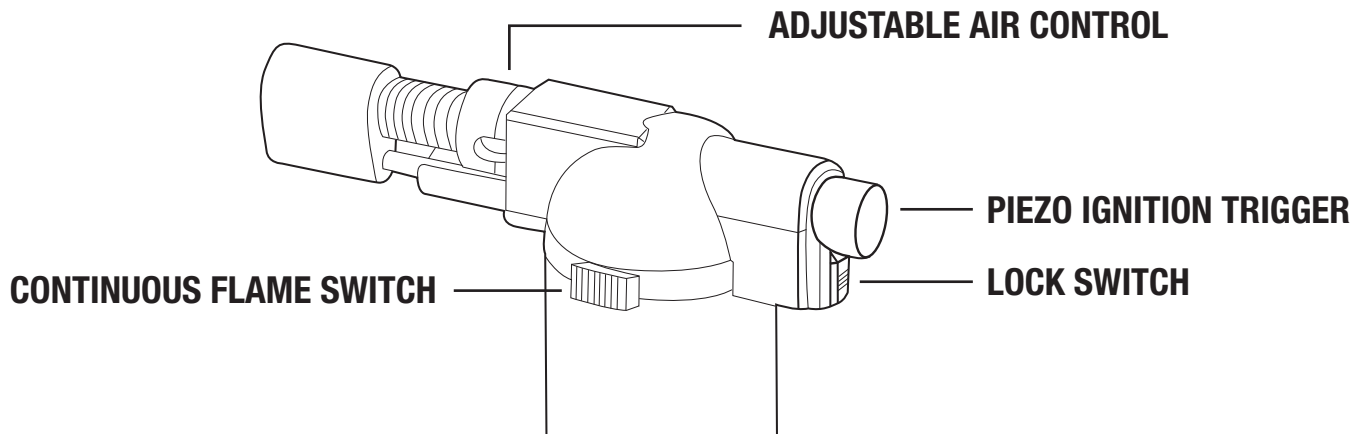


MINI SOLDERING TORCH KIT

PRODUCT MANUAL

PART NO. 211223



FEATURES

- Piezo ignition
- Ideal for the kitchen
- Trigger lock for continuous use
- Soft rubber grip handle
- Blow torch function
- Use in conjunction with Tradeflame Butane Cartridge 70g (10000602 / 326602) & 200g (10000603 / 326603)

SPECIFICATIONS

- **Consumption:** 11.5 g/hr
- **Fuel storage size:** 20 g
- **Burning time:** 100 min
- **Flame length:** 70 mm

CONTENTS

- Blow torch
- Soldering tip assembly
- Stand / base

FILLING/ REFILLING GAS

1. Ensure continuous flame switch is in off position and soldering torch has cooled down
2. Hold soldering torch in an upside down position
3. Insert the butane canister refill nozzle into the refilling valve and push down
4. Stop refilling when gas starts to overflow

TO IGNITE / EXTINGUISH

1. Slide the lock switch downward into the unlock position
2. Press the trigger slowly and hold it to activate the torch
3. Releasing the trigger will extinguish the flame and reset lock switch

ACTIVATING A CONTINUOUS FLAME

1. Slide the continuous flame switch to hold the flame after ignition and before releasing the trigger
2. To disengage the continuous flame switch press the trigger again. Releasing the trigger will extinguish the flame and reset the lock switch

WARNING

- To avoid injury or damage only ignite the torch when clear of face, hand, clothing or combustible materials
- The burner/tip becomes extremely hot during and after operation, care must be taken to avoid accidental burns
- Ensure flame is completely out after use. Do not expose to temperature above 50°C / 120°F.
- Contains flammable gas under pressure, do not disassemble, puncture, drop or incinerate after use

TORCH IS SUPPLIED WITHOUT GAS. TORCH REQUIRES FILLING BEFORE USE. USE WITH TRADEFLAME BUTANE GAS REFILL 70G (10000602 / 326602) & 200G (10000603 / 326603)



CAUTION: The soldering iron becomes extremely hot during and after operation - care must be taken to avoid accidental burns. For maximum protection, always wear safety goggles, gloves or other appropriate equipment.