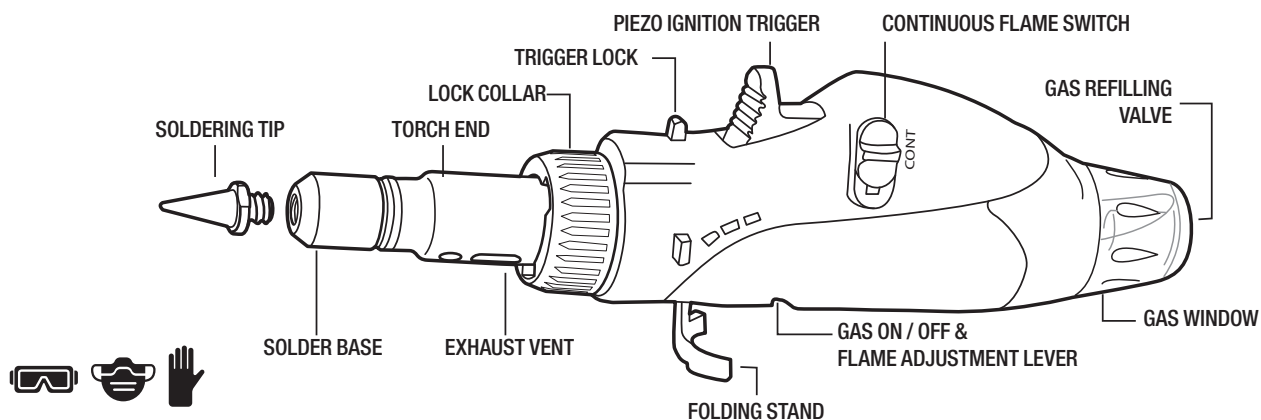


Tradeflame®

MICRO SOLDERING TORCH PRODUCT MANUAL

PART NO. 211256



CAUTION: For maximum protection, always wear safety goggles, gloves or other appropriate equipment

IMPORTANT: READ THESE INSTRUCTIONS FOR USE CAREFULLY. FAMILIARISE YOURSELF WITH THE APPLIANCE BEFORE CONNECTING IT TO ITS GAS CONTAINER. KEEP THESE INSTRUCTIONS FOR FUTURE REFERENCE.

TORCH IS SUPPLIED WITHOUT GAS. TORCH REQUIRES FILLING BEFORE USE. USE WITH TRADEFLAME BUTANE GAS REFILL 70G (10000602 / 326602) & 200G (10000603 / 326603)

TO IGNITE

1. Face the exhaust vent upwards.
2. Turn on the gas with the gas on/off & flame adjustment level
3. Press the trigger lock switch while sliding your thumb down on the piezo ignition trigger.
4. Adjust flame level with the gas on/off flame adjustment level:
+ to increase – to decrease

TO EXTINGUISH

1. Let go of the trigger and slide the gas on/off and flame adjustment lever to off, this will extinguish the flame and turn off the gas supply
2. If the continuous flame switch is on, slide to off position to turn off

BLOW TORCH AIR

1. Unscrew lock collar and remove solder base from torch end
2. Replace torch end and lock collar.
Be careful not to over tighten

FILLING/REFILLING GAS

1. Ensure the gas on/off and flame adjustment lever is off and torch has cooled down
2. Hold the torch in an upside down position
3. Insert the butane canister refill nozzle into the gas refilling valve and push down
4. Stop refilling when the gas starts to overflow. Do not overfill
5. Please note the gas window at the bottom of this torch is for viewing remaining gas, not for refilling purposes

KEEP OUT OF REACH OF CHILDREN

This appliance shall only be used with Tradeflame Butane.

IT MAY BE HAZARDOUS TO ATTEMPT TO FIT OTHER TYPES OF GAS CONTAINERS. ONLY USE IN WELL-VENTILATED AREAS.

CARBON MONOXIDE HAZARD - USING THIS APPLIANCE IN AN ENCLOSED SPACE MAY CAUSE DEATH. DO NOT USE IN CARAVANS, TENTS, MARINE CRAFT, CARS, MOBILE HOMES OR SIMILAR LOCATIONS.

CAUTION: Accessible parts may be very hot. Keep young children away.

- Inspect the appliance regularly for signs of wear, leaks or incorrect operation.
- Do not modify this appliance.
- Ensure all packaging is removed prior to use.
- Check that seals between the appliance and the gas container are in place and in good condition before connecting the gas cartridge.
- Do not use this appliance if it has damaged or worn seals.
- Do not use the appliance if it is leaking, damaged or does not operate properly.
- Gas containers shall be changed in a well-ventilated location, preferably outside, away from people and any source of ignition, such as naked flames, pilot flame, electric heaters/equipment.
- To avoid injury or damage, only ignite the torch when clear of face, hands, clothing or combustible materials.
- Always inspect your environment before igniting to ensure the area is clear of any potential ignition sources or hazards.
- The burner/tip becomes extremely hot during and after operation. Care must be taken to avoid accidental burns.
- This appliance must be operated away from any flammable material or surfaces and materials.
- Never leave the torch unattended once lit. Extinguish the torch first ensuring it is completely out and safe before leaving unattended.
- Protect from direct sunlight. Do not expose to temperature above 50°C/120°F.
- Do not breathe gas, fumes, vapour or spray. If inhaled, move the person to a fresh air environment.
- For maximum protection, always wear safety goggles, gloves or other appropriate equipment.
- Avoid contact with eyes or skin. In case of contact with eyes, rinse immediately with plenty of water and seek medical advice.