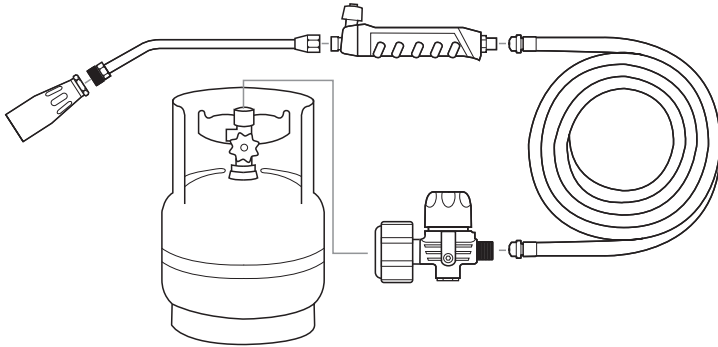


# Trade**flame**<sup>®</sup>

**PROFESSIONAL SERIES**

## **REGULATOR VARIABLE (POL / LCC27)**

### **EXAMPLE SET UP**



The Trade flame Professional Series has been designed for the varying requirements of brazing, soldering and heating applications. The Professional series combines high quality well designed interchangeable, scalable burners, extensions, handles and regulators. This range can take on the small and large jobs whether you are a professional or a demanding DIY user.

Products in the Trade flame Professional Range:

- are all interchangeable and depend upon the job requirements.
- are designed to be tightened with the appropriate size spanner.  
**DO NOT OVER TIGHTEN.**
- are designed to be used by an experienced user. So care must be taken when using to ensure your safety.

### **SPECIFICATIONS**

- Brass with nylon adjustment knob
- Pressure: 1 to 4 bar
- Max Capacity: 5 - 20 kg/h
- Length: 99.5mm
- Height: 69mm highest point
- Width: 36mm widest point
- Weight: 400 g
- Inlet thread: POL / LCC27
- Outlet thread: 3/8" BSP Left hand