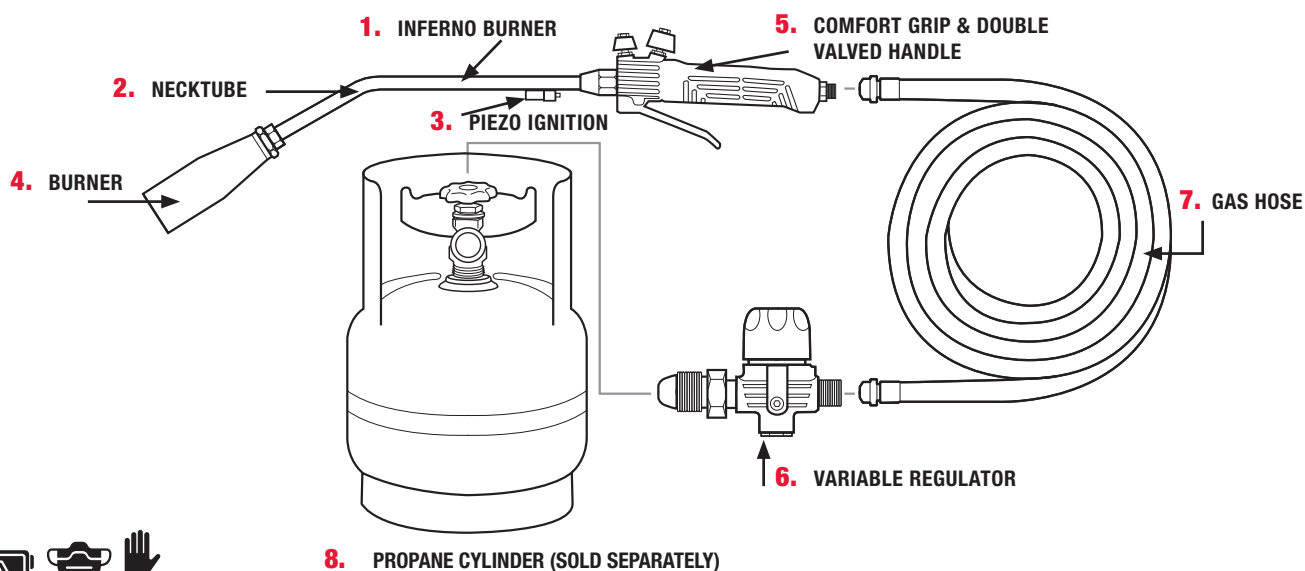


## INFERNO BURNER PRODUCT MANUAL

PART NO. 215378



**CAUTION:** For maximum protection, always wear safety goggles, gloves or other appropriate equipment

**IMPORTANT: READ THESE INSTRUCTIONS FOR USE CAREFULLY. FAMILIARISE YOURSELF WITH THE APPLIANCE BEFORE CONNECTING IT TO ITS GAS CONTAINER. KEEP THESE INSTRUCTIONS FOR FUTURE REFERENCE.**

### FEATURES:

- **Gas:** Suitable for use with Propane
- **Flame type:** Super powerful and windproof flame
- **Long reach, less bending:** No more back aches! The extended burner (780mm) lets you reach unwanted growth comfortably, standing tall as you tend to your garden
- **Safe and easy to use:** One-handed operation, piezo ignition and variable flame control – everything you need for comfortable and effective weed control
- **Built to last:** Steel shaft and burner stands up to the toughest backyard projects
- **Versatility unleashed:** From weed burning to lighting fire pits and grills, this burner is your fiery all-rounder
- **Smart flame control:** Handy trigger handle and 50mm burner tip gives you precise control over the heat, delivering it when and where required. The pilot flame control knob provides a gas saving pilot flame. No wasted flame, just targeted power
- AGA approved hose
- Complies to AS/NZS 1869 Class C high pressure

### NO HARSH CHEMICALS, JUST TARGETED FLAME PRECISION

Tradeflame's controlled 1900°C flame disrupts weed cells, stopping water and nutrients from reaching the leaves. Plants simply wither away, naturally.

### CONTENTS:

- Inferno Burner with TFP Handle (piezo ignition)
- 3m x 8mm AGA approved Hose
- LCC27 Regulator

### USED FOR:

- Weed burning
- Road surface repair
- Paint removal
- Melting snow and ice
- Roofing applications
- Pre-heating metal for welding applications



# INFERNO BURNER

## PRODUCT MANUAL

PART NO. 215378

**IMPORTANT: READ THESE INSTRUCTIONS FOR USE CAREFULLY. FAMILIARISE YOURSELF WITH THE APPLIANCE BEFORE CONNECTING IT TO ITS GAS CONTAINER. KEEP THESE INSTRUCTIONS FOR FUTURE REFERENCE.**

### INSTRUCTIONS:

Read these instructions for use carefully so as to familiarise yourself with the Inferno Burner Propane Torch before connecting it to a propane cylinder (sold separately)

Keep these instructions for future reference. Failure to follow the instructions contained in these instructions can result in serious injury.

Do not modify the Inferno Burner Propane Torch.

### OPERATING PRINCIPLES:

The Inferno Burner Propane Torch eradicates weeds through thermal shock from a flame. The abrupt rise in temperature bursts the plant cells, destroying the weed. This type of weeding is eco-friendly (no chemicals) and easy to use. It enables weeding without back-ending or tiring. The Inferno Burner Propane Torch is for use on many surfaces.

Be aware of the risk of fire and always have some water at hand to extinguish any fire.

### PREPARING THE INFERNO BURNER:

1. Fit the Gas Hose to the thread on the Variable Regulator. Tighten the nut
2. Fit the other end of the hose to the burner handle and tighten the connection using 2 spanners
3. Connect the Variable Regulator to the propane gas cylinder
4. Before using, make sure that the Inferno Burner Propane Torch is off, open the gas bottle valve and check that the connections remain sealed. Recommend using Tradeflame Gas Leak Detection Spray (Part No. 211634)

### WARNING:

**ENSURE THAT YOU READ AND FULLY UNDERSTAND THE INSTRUCTIONS AND PRODUCT BEFORE USE.**

**DO NOT TRY TO USE THIS TOOL WITHOUT FIRST READING AND UNDERSTANDING THE INSTRUCTIONS.**

**FAILURE TO COMPLY WITH THESE INSTRUCTIONS AND WARNINGS MAY RESULT IN DAMAGE TO PROPERTY, PERSONAL INJURY OR DEATH.**

**ALWAYS INSPECT THE TORCH BEFORE USE TO ENSURE IT IS IN GOOD WORKING ORDER.**

**DO NOT ATTEMPT TO USE THE TORCH IF IT IS LEAKING, DAMAGED OR MALFUNCTIONING.**

**ALWAYS DETACH TORCH FROM CARTRIDGE WHEN NOT IN USE. ONLY USE IN WELL VENTILATED AREAS.**

**CARBON MONOXIDE HAZARD THIS TORCH CAN PRODUCE CARBON MONOXIDE WHICH HAS NO ODOUR. USING IT IN AN ENCLOSED SPACE, MAY CAUSE DEATH.**

**OUTDOOR USE ONLY.**

**NEVER LEAVE THE TORCH ONCE LIT. EXTINGUISH THE TORCH FIRST ENSURING IT IS COMPLETELY OUT AND SAFE BEFORE LEAVING UNATTENDED.**

**CAUTION: ACCESSIBLE PARTS MAY BE VERY HOT DURING AND AFTER OPERATION. CARE MUST BE TAKEN TO AVOID ACCIDENTAL BURNS.**

**ENSURE FLAME IS COMPLETELY OUT AFTER USE.**

**PROTECT FROM DIRECT SUNLIGHT. DO NOT EXPOSE TO TEMPERATURE ABOVE 50°C/120°F.**

**KEEP OUT OF REACH OF CHILDREN.**

**TO AVOID INJURY OR DAMAGE ONLY IGNITE THE TORCH WHEN CLEAR OF FACE, HANDS, CLOTHING OR COMBUSTIBLE MATERIALS.**

**ALWAYS INSPECT YOUR ENVIRONMENT BEFORE IGNITING TO ENSURE THE AREA IS CLEAR OF ANY POTENTIAL IGNITION SOURCES OR HAZARDS.**

**DO NOT DISASSEMBLE, PUNCTURE OR INCINERATE CARTRIDGE**

**AFTER USE, CARTRIDGES MUST BE STORED AND HANDLED IN ACCORDANCE WITH AS1596.**

**CONTAINS FLAMMABLE GAS UNDER PRESSURE.**

**CAUTION FOR MAXIMUM PROTECTION, ALWAYS WEAR SAFETY GOGGLES, GLOVES AND OTHER APPROPRIATE SAFETY EQUIPMENT.**

**AVOID CONTACT WITH EYES OR SKIN. IN CASE OF CONTACT WITH EYES, RINSE IMMEDIATELY WITH PLENTY OF WATER AND SEEK MEDICAL ADVICE.**