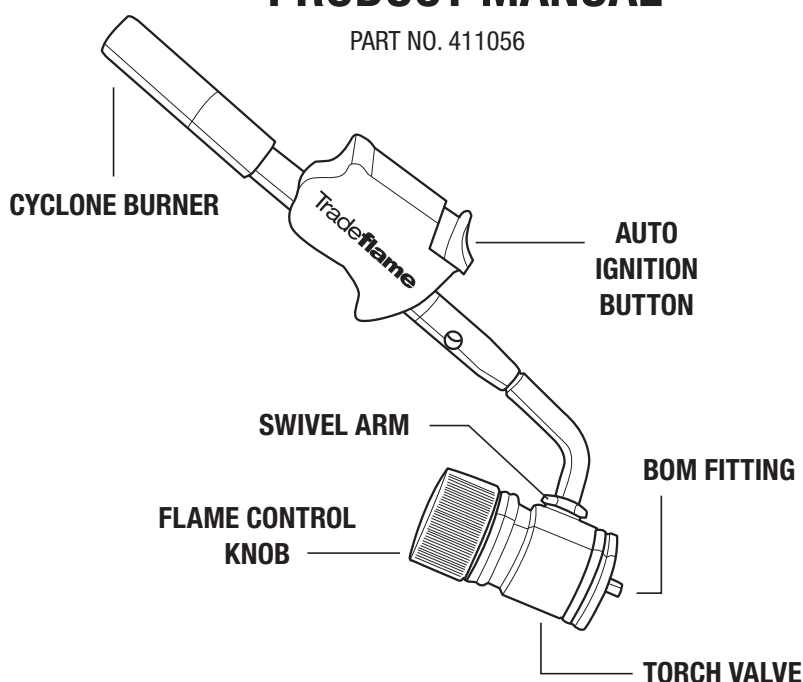


Tradeflame®

360° SWIVEL BLOW TORCH KIT

PRODUCT MANUAL

PART NO. 411056



CAUTION: For maximum protection, always wear safety goggles, gloves or other appropriate equipment



IMPORTANT: READ THESE INSTRUCTIONS FOR USE CAREFULLY. FAMILIARISE YOURSELF WITH THE APPLIANCE BEFORE CONNECTING IT TO ITS GAS CONTAINER. KEEP THESE INSTRUCTIONS FOR FUTURE REFERENCE.

FEATURES

- **Gas:** Suitable for use with Propane, TF/ULTRA GAS® and ULTRA 30™ (sold separately)
- **Flame type:** Cyclone: Rotating flames wrap around pipes giving an even heat output for faster heating, soldering and brazing
- **Fuel cartridge:** 400g TF/ULTRA GAS®
- **Swivel burner:** For difficult operating angles
- **Precise control:** Variable flame control puts the perfect heat at your fingertips
- **Effortless ignition:** Ditch the matches! A simple trigger click sparks the flame instantly

TO ASSEMBLE

1. Check that seals between the appliance and the gas container are in place and in good condition before connecting the gas cartridge. Do not use this appliance if it has damaged or worn seals.
2. Ensure the flame control knob is turned off (-) fully clockwise.
3. Keep the cartridge in an upright position and place the valve body on top of the BOM fitting.
4. Gently screw (clockwise) the valve body into the cartridge.

CAUTION - DO NOT OVER TIGHTEN.

BEFORE IGNITION

- Spray Gas Leak Detection Spray (211634) or Gas Leak Detection Foam (400023) around seal and check for bubbles. **DO NOT USE IF YOU SMELL GAS OR SEE BUBBLES.**
- If you smell gas or see bubbles, the torch is not correctly attached to the gas cartridge. **DO NOT IGNITE.** Remove the blow torch from the gas cartridge and re-attempt connection.
- Appliance must be repaired by a qualified technician.
- **NEVER USE A FLAME TO CHECK FOR LEAKS.**
- Make sure to test in a well-ventilated and spark-free area and where there are no open flames.

TO IGNITE

1. To avoid injury or damage, always point the burner away from your body and any flammable or combustible materials.
2. Turn the flame control knob (+) anti-clockwise.

ADJUSTING THE FLAME LEVEL

1. Turn the flame control knob anti-clockwise (+) to increase the flame.
2. Turn the flame control knob clockwise (-) to decrease the flame.

TO EXTINGUISH

Turn the flame control knob fully clockwise to the closed position.

STORAGE

- Always detach torch from cylinder when not in use.
- Make sure that the cylinder is disconnected and is stored in a well ventilated area, out of the reach of children, free from direct sunlight, heat and ignition sources. If being stored indoors, ensure that the location complies with the standard AS/NZS 1596.
- Do not store chemicals or flammable materials, or spray aerosols near this appliance.

MAINTENANCE / SERVICING

If symptoms such as flaring burner, issues with lighting, leaks from seals or problems with gas control are identified, do not attempt to repair, return to your authorised stockist for service and maintenance.

This appliance must only be serviced by an authorised person.

3 YEAR LIMITED WARRANTY

Details available at tradeflame.com



360° SWIVEL BLOW TORCH KIT

PRODUCT MANUAL

PART NO. 411056

WARNING

This appliance shall only be used with TradeFlame propane, TradeFlame TF/ULTRA GAS®, or TradeFlame ULTRA 30™.

IT MAY BE HAZARDOUS TO ATTEMPT TO FIT OTHER TYPES OF GAS CONTAINERS.

THE APPLIANCE IS NOT SUITABLE FOR INSTALLATION OR CONNECTION TO A RETICULATED GAS SUPPLY.

ONLY USE IN WELL-VENTILATED AREAS.

CARBON MONOXIDE HAZARD - USING THIS APPLIANCE IN AN ENCLOSED SPACE MAY CAUSE DEATH. DO NOT USE IN CARAVANS, TENTS, MARINE CRAFT, CARS, MOBILE HOMES OR SIMILAR LOCATIONS.

CAUTION: Accessible parts may be very hot. Keep young children away.

DANGER

- **EXTREMELY FLAMMABLE GAS.**
- **CONTAINS GAS UNDER PRESSURE; MAY EXPLODE IF HEATED.**
- **KEEP AWAY FROM HEAT/SPARKS/OPEN FLAMES/HOT SURFACES. NO SMOKING.**
- **LEAKING GAS FIRE: DO NOT EXTINGUISH, UNLESS LEAK CAN BE STOPPED SAFELY.**
- **ELIMINATE ALL IGNITION SOURCES IF SAFE TO DO SO.**
- **PROTECT FROM SUNLIGHT. STORE IN A WELL-VENTILATED PLACE.**
- **FOLLOW INSTRUCTIONS SUPPLIED WITH APPLIANCES.**
- **USE ONLY WITH TORCHES DESIGNED FOR TF/ULTRA GAS® OR MAPP® GAS.**
- **NEVER USE WITH STANDARD PROPANE APPLIANCES SUCH AS LANTERNS, STOVES, TORCHES, ETC.**
- **KEEP OUT OF REACH OF CHILDREN.**

REFER TO THE SDS FOR FIRST AID MEASURES, FIRE FIGHTING MEASURES, ACCIDENTAL RELEASE MEASURES AND HANDLING AND STORAGE.

SAFETY INFORMATION

- Inspect the appliance regularly for signs of wear, leaks or incorrect operation.
- Do not modify this appliance.
- Ensure all packaging is removed prior to use.
- Check that seals between the appliance and the gas container are in place and in good condition before connecting the gas cartridge.
- Do not use this appliance if it has damaged or worn seals.
- Do not use the appliance if it is leaking, damaged or does not operate properly.
- Gas containers shall be changed in a well-ventilated location, preferably outside, away from people and any source of ignition, such as naked flames, pilot flame, electric heaters/equipment.
- To avoid injury or damage, only ignite the torch when clear of face, hands, clothing or combustible materials.
- Always inspect your environment before igniting to ensure the area is clear of any potential ignition sources or hazards.
- The burner becomes extremely hot during and after operation. Care must be taken to avoid accidental burns.
- This appliance must be operated away from any flammable material or surfaces and materials.
- Never leave the torch unattended once lit. Extinguish the torch first ensuring it is completely out and safe before leaving unattended.
- Protect from direct sunlight. Do not expose to temperature above 50°C/120°F.
- Do not breathe the gas, fumes, vapour or spray. If inhaled, move the person to a fresh air environment.
- For maximum protection, always wear safety goggles, gloves or other appropriate equipment.
- Avoid contact with eyes or skin. In case of contact with eyes, rinse immediately with plenty of water and seek medical advice.

*MAPP® is a registered Trademark of the Linde Group